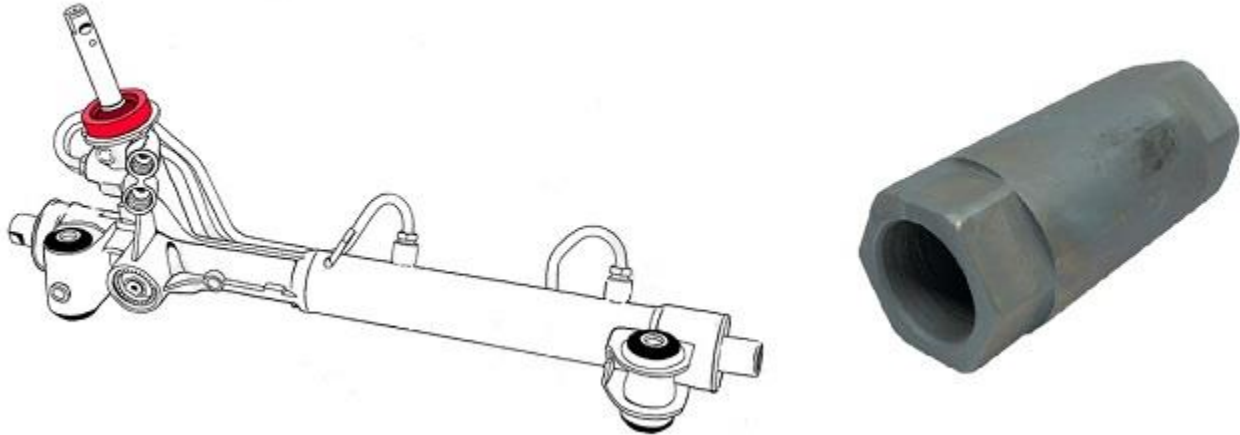




Tool for adjusting the adjusting screw Part No. TLS20020



Application
SUZUKI Swift IV 2010-

FITS THE FOLLOWING

Rack part number	Crossreferences	Application
ATGM51151RB	SUZUKI 4858054P51, 4858061M50, 4858054P51, 4858061M51, 4858061M50, 4858061M51	Suzuki SX4 II (S-Cross) (2013-) Vitara (2015-)
ATGM50481RB	SUZUKI 4858068L50, 4858071L62, 4858068L51, 4858068L52	Suzuki Swift V (2011-)

More new products at <https://www.atg-components.com/warehouse-news>